

Research Administration System Update

Feb. 24, 2017

Marc Melton

<http://ra-project.vprgs.msu.edu/>

Agenda

1. Quali Coeus (KC) - Introduction
2. KC – Support
3. System Metrics
4. KC - Enterprise Integrations
5. Project Timeline/Milestones
6. Reporting
7. End User Education
8. Change Management
9. Questions

Kuali Coeus – Introduction

- Kuali Foundation community source product based on MIT Coeus
- Enterprise Research Administration system
- Manage sponsored projects through their lifecycle.
 - Includes pre-award and award support
 - For projects either proposed to or funded by external (non-MSU) sources.
- Manage financial conflict of interest disclosures and review for the research community.
- Source of record for all MSU research proposals.

KC – Support


Business Units


Sponsored Programs Administration; Office of Sponsored Programs; Contract & Grant Administration; Business Connect; Office of Regulatory Affairs (COI)




System Metrics

 589M in research dollars awarded in FY15-16

 4,000 proposals/year submitted

 1,500 Faculty (+ newly recruited faculty)
(200 Proposal Submissions directly from Faculty in FY16)

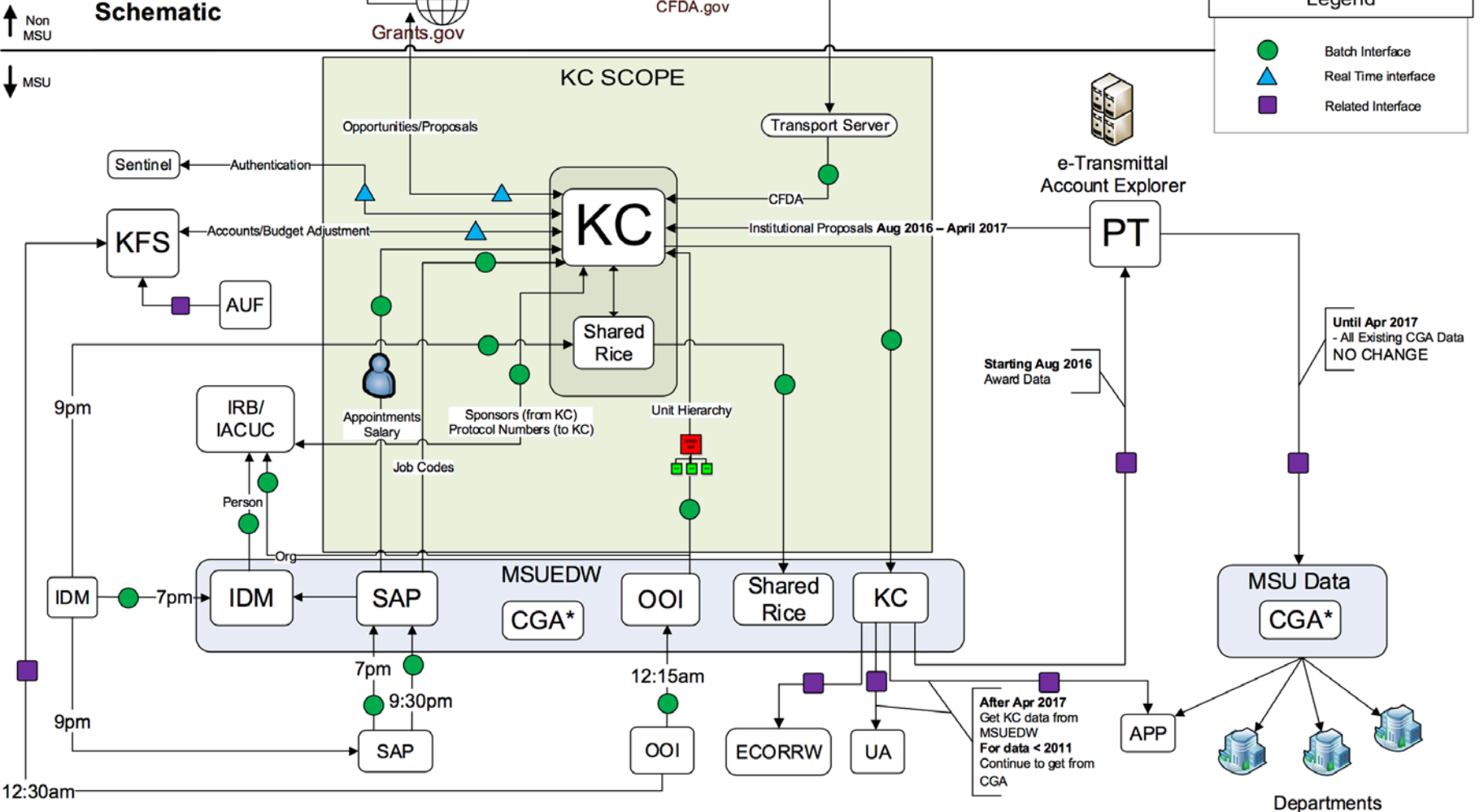
 350 Research (Pre & Post) Administrators

 Other Users (Research Associates, Research Techs,
Academic Staff)

KC - Enterprise Integrations

Research Administration KC Interface Landscape Schematic

May 21 2016



Project Timeline/Milestones

August
2016

Award Read-Only Access

- All campus

Award, Negotiation, and Institutional Proposal Module Full Access

- Business offices (OSP/CGA/BC)

PHASE 1A
ROLLOUT

January – March
2017

Pilot

- Pilot Proposal Development and Conflict of Interest to select college users

Learning Opportunities

- Classroom courses
- E-learning courses
- Short videos, user manuals, and job aids
- Model office

PILOT
USER EDUCATION

April
2017

Proposal Development Full Access

- All campus

Conflict of Interest Full Access

- All campus

PHASE 1B
ROLLOUT

Project Timeline/Milestones - Pilot

Timeframe

- January 2017 – March 2017

Participating Colleges

- Natural Science
- Education
- MSU Extension
- Lyman Briggs
- Social Science
- Human Medicine

Expected Outcomes

- Approximately 20 proposals
- System-to-system (S2S) submission
- Summary proposals
- COI disclosures

Reporting

August
2016

No Changes

- Continue reporting from OSP/CGA quick run reports

PHASE 1A
ROLLOUT

November 2016

Access to EDW

- Early access in EDWQ
- Documentation and support from project team and Analytics and Data Solutions (ADS)

EARLY ACCESS

April 2017

Reporting in Cognos

- Self-service ad hoc reporting in Cognos
- Standardized reports in Cognos

PHASE 1B
ROLLOUT

User Education Timeline

December
2016

Train the Trainers

- Classes for trainers
 - 7 college staff
 - 12+ OSP and CGA staff
 - 5 RA Project team members

Registration Opens

- EBS registration available December 1

Model Office

- December 19/20

January – March
2017

Classroom Learning Opportunities

- User education for early adopters (pilot)
- Classes for all campus users begin January 31

Other Learning Opportunities

- E-learning education materials
- Short videos, user manuals, and job aids
- Model office for campus

April
2017

Ongoing User Education

- E-learning available through D2L
- Short videos
- User manuals
- Job aids

Change Management

Communications

Memos & Announcements

- Project information and updates sent to:
 - DDC email list
 - HR Newsletter
 - Research news
 - SPA listserv
 - ORFD listserv
- Announcements posted on VPRGS, SPA, & BolderIT websites

Research Administration Project Website

- Information & updates
- Education
 - Support materials
 - Course information

Practice Environments

Practice Environment available to RASIC members

- October 2016

Pilot

- January - March 2017
- Select users will use Proposal Development and Conflict of Interest modules

Model Office Event

- December 2016
- Attendees can see and practice using the new system

Presentations & Demonstrations

Pre-recorded Demonstrations

- January 2017
- Full Proposal Development module demo online

Live Demonstrations

- January - April 2017
- Available upon request

Presentations

- Jan 2016 - Feb 2017
- Campus staff/faculty groups
- Information, updates, & demonstrations

Questions



More Info: <http://ra-project.vprgs.msu.edu/>



Supplemental Material

Data Conversion

August
2016

- All active awards
- All pending eTransmittals with “Accepted By OSP Date” \geq January 1, 2016

August 2016
– April 2017

- Nightly, all pending eTransmittals approved by business offices will be converted to an institutional proposal

April
2017

- All inactive awards with a financial transaction Board date \geq 07/01/2010
- All non-pending eTransmittals with “Accepted By OSP Date” \geq 07/01/2010
- Most recent annual COI disclosures and financial entity information